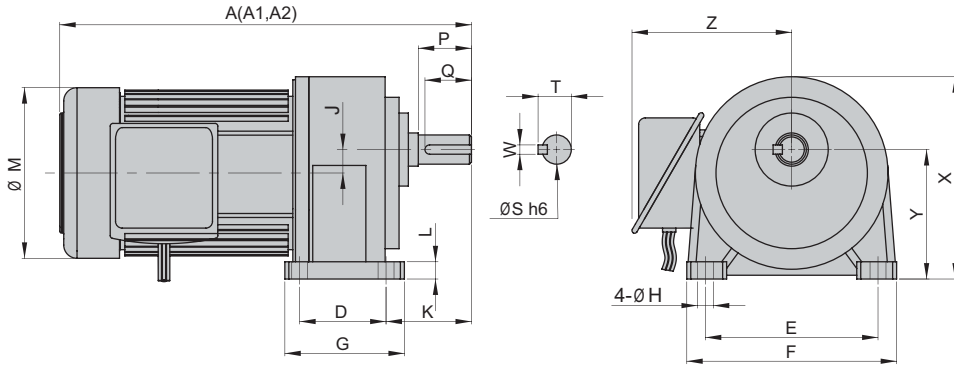




LH Horizontal Alloy Gearmotor



Dimension (mm)

Output W(HP)	Ratio	Housing	Code	A	A1	A2	D	E	F	G	H	J	K	L	M	X	Y	Z	Output Shaft				
																			S	P	W	T	Q
100W (1/8 HP)	3~50 (60~200)	1	18	250	285	250	40	110	135	65	9	16	49	10	130	131	88.5	120	18	30	5	20	25
	60~200	2	22	280	320	280	65	130	158	90	11	17.65	60	13	130	153	97.5	120	22	40	7	25	35
200W (1/4 HP)	3~10 (12.5~90)	1	18	270	305	290	40	110	135	65	9	16	49	10	130	131	88.5	120	18	30	5	20	25
	12.5~90 (100~200)	2	22	305	340	325	65	130	158	90	11	17.65	60	13	130	153	97.5	120	22	40	7	25	35
	100~200	3	28	315	350	335	90	140	180	120	11	24.22	66.5	16	130	174	116	120	28	45	7	31	40
400W (1/2 HP) Standard for 3-phase	3~10 (12.5~90)	2	22	325	340	-	65	130	158	90	11	17.65	63	13	130	153	97.5	135	22	40	7	25	35
	12.5~90 (100~200)	3	28	335	350	-	90	140	180	120	11	24.22	68.5	16	130	174	116	135	28	45	7	31	40
	100~200	4	32	380	395	-	130	170	210	165	12	30.22	70	20	130	198	130	135	32	55	10	35	50
400W (1/2 HP) Standard for 1-phase	3~10 (12.5~90)	2	22	340	350	360	65	130	158	90	11	17.65	63	13	162	153	97.5	135	22	40	7	25	35
	12.5~90 (100~200)	3	28	360	370	380	90	140	180	120	11	24.22	68.5	16	162	174	116	135	28	45	7	31	40
	100~200	4	32	400	410	415	130	170	210	165	12	30.22	70	20	162	198	130	135	32	55	10	35	50
750W (1 HP)	(3~25)	2	22	345	355	380	65	130	158	90	11	17.65	60	13	162	153	97.5	135	22	40	7	25	35
	3~25 (30~120)	3	28	370	375	410	90	140	180	120	11	24.22	66.5	16	162	174	116	135	28	45	7	31	40
	30~120 (125~200)	4	32	400	410	440	130	170	210	165	12	30.22	70	20	162	198	130	135	32	55	10	35	50
	125~200	5	40	465	465	500	150	210	265	198	15	36	89	24	162	250	160	135	40	65	10	43	60
1500W (2 HP)	(3~30)	3	28	420	430	-	90	140	180	120	11	24.22	68.5	16	192	174	116	135	28	45	7	31	40
	3~30 (40~100)	4	32	450	450	475	130	170	210	165	13	30.22	70	20	192	198	130	146	32	55	10	35	50
	40~100 (110~150)	5	40	510	510	510	150	210	265	198	15	36	89	24	192	250	160	146	40	65	10	43	60
2200W (3 HP)	110~180	6	50	560	560	560	170	265	319	238	18	51	120	31.5	192	308	200	146	50	80	14	54	75
	3~40 (45~80)	5	40	530	530	-	150	210	265	198	15	36	89	24	220	250	160	160	40	65	10	43	60
3700W (5 HP)	45~100	6	50	580	580	-	170	265	319	238	18	51	120	31.5	220	308	200	160	50	80	14	54	75
	3~10 (15~60)	5	40	560	560	-	150	210	265	198	15	36	89	24	220	250	160	160	40	65	10	43	60
	15~60	6	50	620	620	-	170	265	319	238	18	51	120	31.5	220	308	200	160	50	80	14	54	75

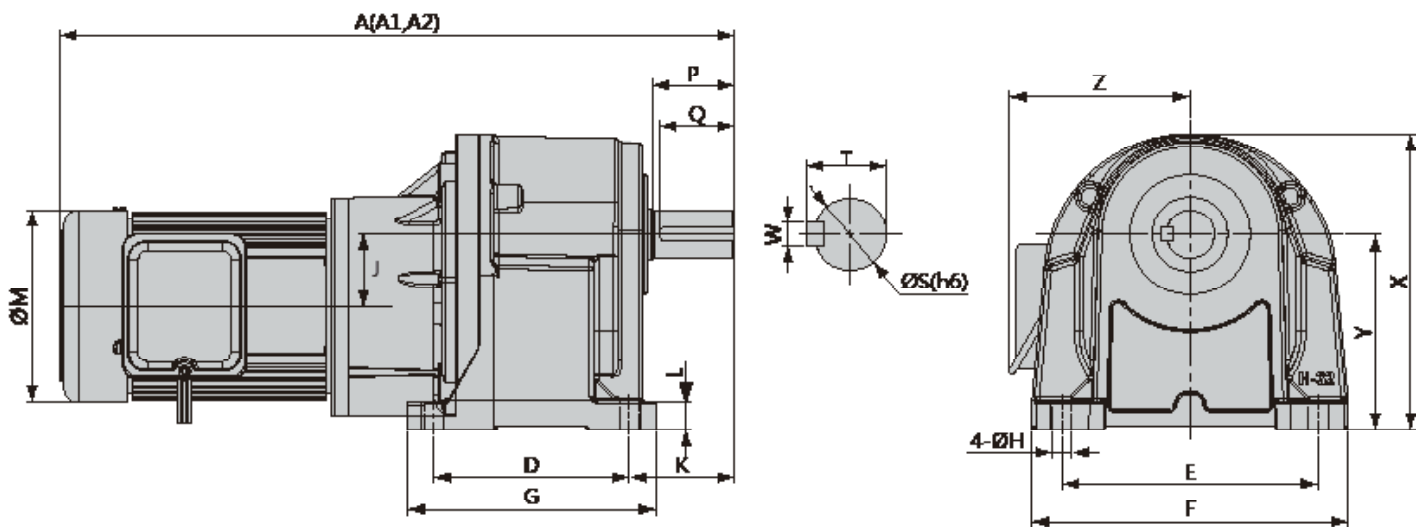
※ Ratio showed in parenthesis () are used for light loading.

NOTES/ (1) A : With 3-phase motors. / A1:With 3-phase brake motors. / A2: With single-phase motors.

(2) Refer to dimension of single-phase brake motor, please contact us.



LH Horizontal High Ratio Gearmotor



Dimension (mm)

Output W(HP)	Ratio	Housing	Code	A	A1	A2	D	E	F	G	H	J	K	L	M	X	Y	Z	Output Shaft				
																			S	P	W	T	Q
100W	(250~1800)	1#+2#	22	350	385	350	65	130	158	90	11	33.65	63	13	130	153	97.5	135	22	40	7	25	35
	250~1800	1#+3#	28	350	385	350	90	140	180	120	11	40.22	68.5	16	130	174	116	135	28	45	7	31	40
200W	(250~1800)	1#+3#	28	385	420	405	90	140	180	120	11	40.22	68.5	16	130	174	116	135	28	45	7	31	40
	250~1800	2#+4#	32	435	470	455	130	170	210	165	13	47.87	70	20	130	198	130	135	32	55	10	35	50
400W (Standard for 3-phase)	(250~1800)	2#+4#	32	455	470	500	130	170	210	165	13	47.87	70	20	130	198	130	135	32	55	10	35	50
	250~1800	3#+5#	40	510	525	555	150	210	265	198	15	52.22	89	24	130	250	162	146	40	65	10	43	60
400W (Standard for 1-phase)	(250~1800)	2#+4#	32	455	470	500	130	170	210	165	13	47.87	70	20	162	198	130	135	32	55	10	35	50
	250~1800	3#+5#	40	510	525	555	150	210	265	198	15	52.22	89	24	162	250	162	146	40	65	10	43	60

※ Ratio showed in parenthesis () are used for light loading.

NOTES/ (1) A : With 3-phase motors. / A1:With 3-phase brake motors. / A2: With single-phase motors.

(2) Refer to dimension of single-phase brake motor, please contact us.